

LIFTKING®

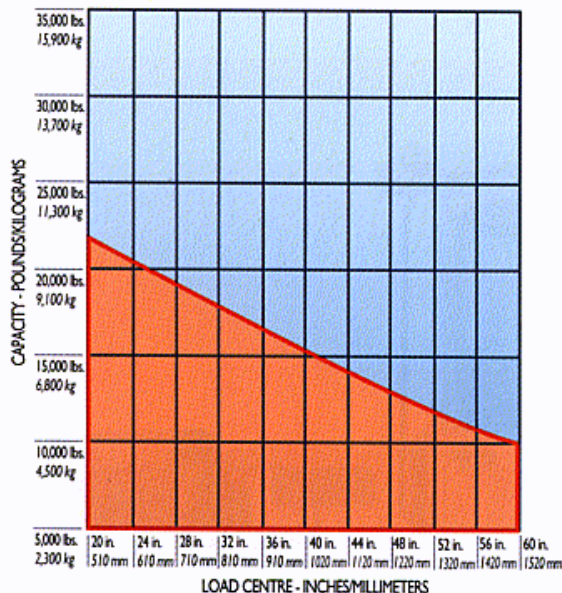
LK-20P22 Forklift
20,000 lb.



MOVING YOUR FUTURE

20,000 lb. LK•20P22 Forklift

CAPACITY AT LOAD CENTER



SPECIFICATIONS LK•20P22

GENERAL

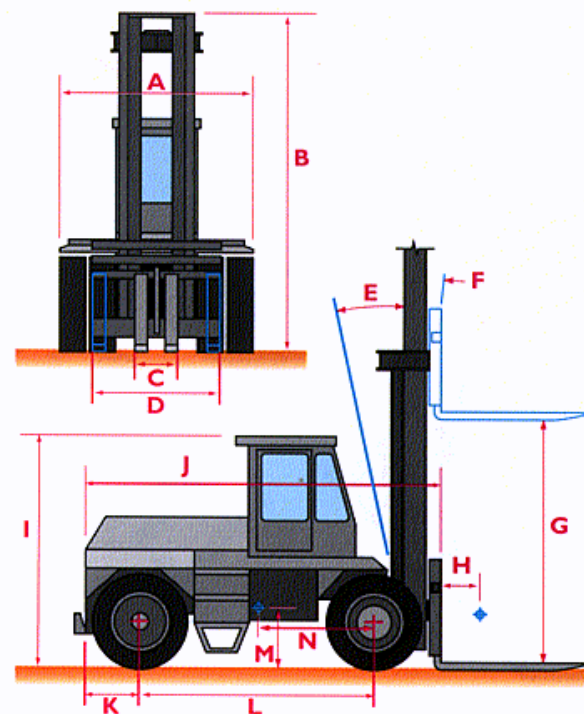
Type of Vehicle	Liftking LK20P22 Diesel Fork Lift Truck,
Manufacturer	Liftking Industries Incorporated
Rated Capacity	20,000 lbs (9070 kg) at 24 in. (610 mm) Load Center
Length (Less Forks)	170 inches / 4318 mm
Overall Width	95 inches / 2413 mm
Turning Radius	269 inches / 6833 mm
Operator Type	Rider-Counterbalanced
Wheels (x = driven)	4 x/2
Tread	
Drive	71 inches / 1803 mm
Steer	78 inches / 1981 mm
Electrics	12V
Fork Dimensions (TxWxL)	2x8x48 inches / 51x203x1219 mm
Upright Tilt - forward/backward	15/12 degrees
Upright height lowered	167.0 inches / 4242 mm
Upright height extended	282.0 inches / 7163 mm
Load Center Distance	29.7 inches / 752 mm
Right Angle Stack Aisle	184.5 inches / 4687 mm
Travel Speeds - Max. with load	18 mph / 29.0 km/h
Lift Speeds - Loaded	86 fpm / 0.45 m/s
Lower Speeds - Loaded	92 fpm / 0.47 m/s
Service Weight (no load)	31,050 lbs. / 14,084 kg
Track - Outer/inner	84.1/58.4 inches / 2136/1483 mm
Ground Clearance (loaded min.)	8 inches / 203 mm
Brakes	2 Wheel, Air or Hydraulic

ENGINE: 6 cylinder

TRANSMISSION: Powershift

AXLES: Heavy Duty Planetary

TIRES: 1000 x 20 Pneumatic type, front 4/rear 2



A	WIDTH	95"	241.3 cm
B	MAST COLLAPSED	104"	264.2 cm
C	FORKS MINIMUM	22"	55.9 cm
D	FORKS MAXIMUM	54"	137.2 cm
E	REARWARD TILT	12°	
F	FORWARD TILT	6°	
G	MAXIMUM LIFT	177"	43.2 cm
H	LOAD CENTRE	24"	60.9 cm
I	BODY HEIGHT	108"	274.3 cm
J	LENGTH	170"	431.8 cm
K	DISTANCE TO REAR AXLE	26"	66.0 cm
L	WHEEL BASE	115"	292.1 cm
M	C.G. HEIGHT (WITHOUT LOAD)	30"	76.2 cm
N	C.G. FROM FRONT AXLE (WITHOUT LOAD)	58"	147.3 cm

* Please call Dealer for various Mast, Carriage and Fork options.